



# 40\*40\*7 MM SERIES

**\*馬達 MOTOR:**

4極無刷馬達 4pole brushless DC motor

**\*框 FRAME:**

成型條件 Injection molded thermal plastic  
PBT+30%GF UL 94V-0

**\*扇葉 IMPELLER:**

成型條件 Injection molded thermal plastic  
PBT+15%GF UL 94V-0

**\*絕緣 INSULATION:**

10MΩ/between unshackled wire  
and frame at 500 VDC/m

**\*操作溫度與濕度**

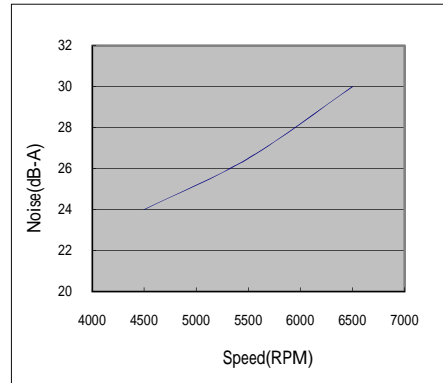
OPERATION TEMPERATURE&HUMIDITY:  
-10°C~+60°C,35%~85%RH

**\*儲存溫度與濕度**

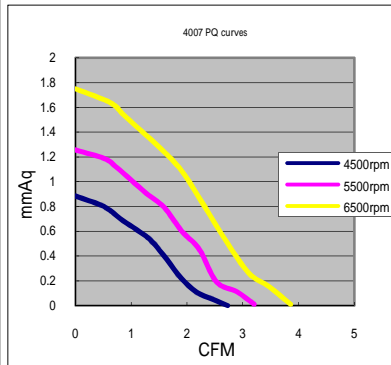
STORAGE TEMPERATURE&HUMIDITY:  
-40°C~+70°C,35%~85%RH

**\*導線 WIRES:**

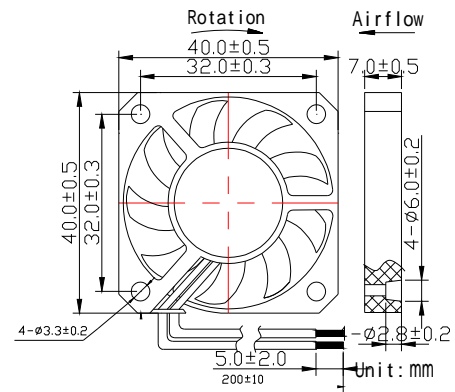
UL1007,28AWG,Red(+),Black(-)



**■ P&Q CURVE**



**■ DIMENSIONS DRAWING**



MODEL	Bearing	Rating Voltage	Rated Current	Rated Input Power	Operating Voltage range	Speed	Air Flow	Static Pressure	Noise
PART NO.		VDC	Amp	Watts	VDC	RPM	CFM	mm-H <sub>2</sub> O	dB-A
A4007H05B	One Ball	5	0.15	0.75	4 to 6	6500	3.86	1.75	30
A4007M05B			0.13	0.65	4 to 6	5500	3.21	1.26	26.5
A4007L05B			0.11	0.55	4 to 6	4500	2.73	0.89	24
A4007H12B		12	0.12	1.44	6 to 13	6500	3.86	1.75	30
A4007M12B			0.10	1.2	7 to 13	5500	3.21	1.26	26.5
A4007L12B			0.08	0.96	7 to 13	4500	2.73	0.89	24

USA Phone:+1-603-792-346 Fax:+1-603-792-3461

<http://www.vettecorp.com>

ASIA TAIWAN Phone:+886-2-7720-1188 Fax:+886-2-7720-1166

CHINA Phone:+86-769-83377088 Fax:+86-769-83710088