



40*40*10 MM SERIES

***馬達 MOTOR:**

4極無刷馬達 4pole brushless DC motor

***框 FRAME:**

成型條件 Injection molded thermal plastic

PBT+30%GF UL 94V-0

***扇葉 IMPELLER:**

成型條件 Injection molded thermal plastic

PBT+15%GF UL 94V-0

***絕緣 INSULATION:**

10MΩ/between unshackled wire

and frame at 500 VDC/m

***操作溫度與濕度**

OPERATION TEMPERATURE&HUMIDITY:

-10°C~+60°C,35%~85%RH

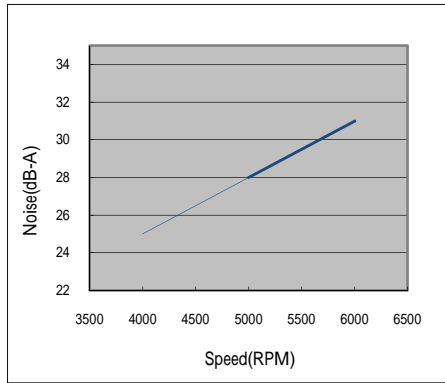
***儲存溫度與濕度**

STORAGE TEMPERATURE&HUMIDITY:

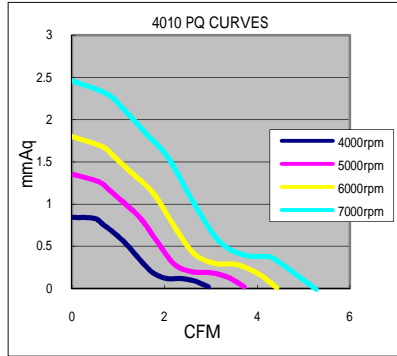
-40°C~+70°C,35%~85%RH

***導線 WIRES:**

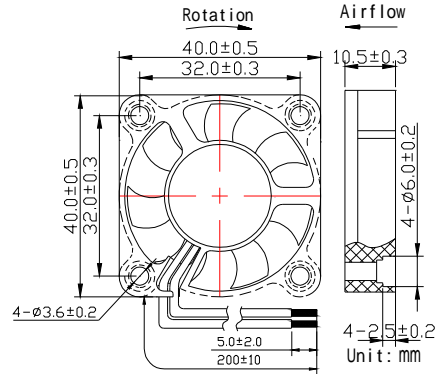
UL1007,28AWG,Red(+),Black(-)



■ P&Q CURVE



■ DIMENSIONS DRAWING



MODEL	Bearing	Rating Voltage	Rated Current	Rated Input Power	Operating Voltage range	Speed	Air Flow	Static Pressure	Noise	
PART NO.		VDC	Amp	Watts	VDC	RPM	CFM	mm-H ₂ O	dB-A	
A4010H12D	Two Ball	5	0.20	1.00	4 to 6	6000	4.33	2.21	31	
A4010M05D			0.16	0.80	4 to 6	5000	3.35	1.39	28	
A4010L05D			0.14	0.70	4 to 6	4000	2.60	0.77	25	
A4010H05C	Ball& Sleeve		0.20	1.00	4 to 6	6000	4.33	2.21	31	
A4010M05C			0.16	0.80	4 to 6	5000	3.35	1.39	28	
A4010L05C			0.14	0.70	4 to 6	4000	2.60	0.77	25	
A4010H05S	Sleeve		0.20	1.00	4 to 6	6000	4.33	2.21	31	
A4010M05S			0.16	0.80	4 to 6	5000	3.35	1.39	28	
A4010L05S			0.14	0.70	4 to 6	4000	2.60	0.77	25	
A4010S12D	Two Ball		12	0.15	1.8	6 to 13	7000	5.26	3.17	35
A4010H12D				0.11	1.32	6 to 13	6000	4.33	2.21	31
A4010M12D				0.09	1.08	7 to 13	5000	3.35	1.39	28
A4010L12D	Ball& Sleeve	0.07		0.84	7 to 13	4000	2.60	0.77	25	
A4010S12C		0.15		1.8	6 to 13	7000	5.26	3.17	35	
A4010H12C		0.11		1.32	6 to 13	6000	4.33	2.21	31	
A4010M12C	Sleeve	0.09		1.08	7 to 13	5000	3.35	1.39	28	
A4010L12C		0.07		0.84	7 to 13	4000	2.60	0.77	25	
A4010S12S		0.15		1.8	6 to 13	7000	5.27	2.46	36	
A4010H12S	Sleeve	0.11		1.32	6 to 13	6000	4.43	1.80	32	
A4010M12S		0.09		1.08	7 to 13	5000	3.72	1.35	28.5	
A4010L12S		0.07		0.84	7 to 13	4000	2.94	0.84	25	

USA Phone:+1-603-792-346 Fax:+1-603-792-3461
<http://www.vettecorp.com>

ASIA TAIWAN Phone:+886-2-7720-1188 Fax:+886-2-7720-1166
 CHINA Phine:+86-769-83377088 Fax:+86-769-83710088
<http://www.vette.com.tw>