



# 40\*40\*20 MM SERIES

**\*馬達 MOTOR:**

4極無刷馬達 4pole brushless DC motor

**\*框 FRAME:**

成型條件 Injection molded thermal plastic

PBT+30%GF UL 94V-0

**\*扇葉 IMPELLER:**

成型條件 Injection molded thermal plastic

PBT+15%GF UL 94V-0

**\*絕緣 INSULATION:**

10MΩ/between unshackled wire

and frame at 500 VDC/m

**\*操作溫度與濕度**

OPERATION TEMPERATURE&HUMIDITY:

-10°C~+60°C,35%~85%RH

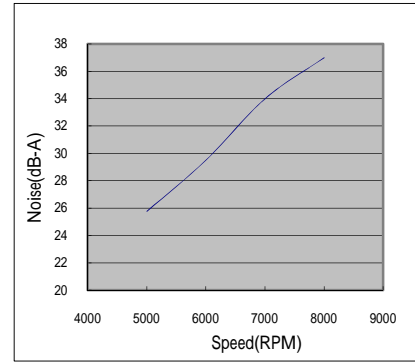
**\*儲存溫度與濕度**

STORAGE TEMPERATURE&HUMIDITY:

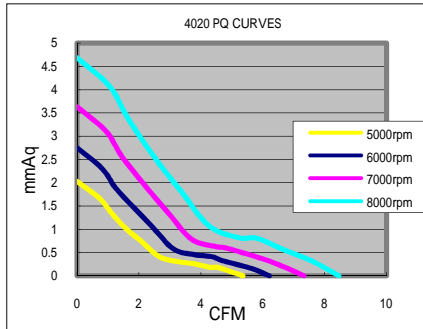
-40°C~+70°C,35%~85%RH

**\*導線 WIRES:**

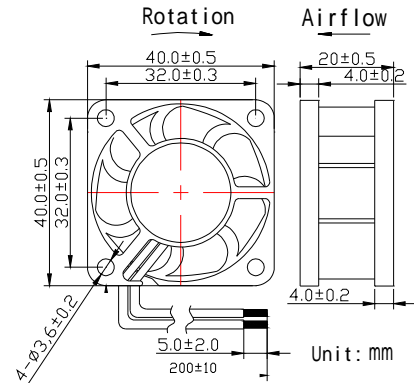
UL1007,28AWG,Red(+),Black(-)



**■ P&Q CURVE**



**■ DIMENSIONS DRAWING**



MODEL	Bearing	Rating Voltage	Rated Current	Rated Input Power	Operating Voltage range	Speed	Air Flow	Static Pressure	Noise
PART NO.		VDC	Amp	Watts	VDC	RPM	CFM	mm-H <sub>2</sub> O	dB-A
A4020S12D	Two Ball	12	0.24	2.88	6 to 13	8000	8.47	4.69	37
A4020H12D			0.18	2.16	6 to 13	7000	7.33	3.64	34
A4020M12D			0.15	1.8	6to 13	6000	6.22	2.75	29.5
A4020L12D			0.13	1.56	6to 13	5000	5.36	2.03	25.75
A4020S12C	Ball& Sleeve		0.24	2.88	6 to 13	8000	8.47	4.69	37
A4020H12C			0.18	2.16	6 to 13	7000	7.33	3.64	34
A4020M12C			0.15	1.8	6to 13	6000	6.22	2.75	29.5
A4020L12C			0.13	1.56	6to 13	5000	5.36	2.03	27.5
A4020S12S	Sleeve	0.24	2.88	6 to 13	8000	8.47	4.69	37	
A4020H12S		0.18	2.16	6 to 13	7000	7.33	3.64	34	
A4020M12S		0.15	1.8	6to 13	6000	6.22	2.75	29.5	
A4020L12S		0.13	1.56	6to 13	5000	5.36	2.03	27.5	
A4020S24D	Two Ball	24	0.16	3.84	12 to 26	8000	8.47	4.69	37
A4020H24D			0.12	2.88	12 to 26	7000	7.33	3.64	34
A4020M24D			0.1	2.40	12 to 26	6000	6.22	2.75	29.5
A4020L24D			0.08	1.92	12 to 26	5000	5.36	2.03	27.5
A4020S24C	Ball& Sleeve		0.16	3.84	12 to 26	8000	8.47	4.69	37
A4020H24C			0.12	2.88	12 to 26	7000	7.33	3.64	34
A4020M24C			0.1	2.40	12 to 26	6000	6.22	2.75	29.5
A4020L24C			0.08	1.92	12 to 26	5000	5.36	2.03	27.5
A4020S24S	Sleeve	0.16	3.84	12 to 26	8000	8.47	4.69	37	
A4020H24S		0.12	2.88	12 to 26	7000	7.33	3.64	34	
A4020M24S		0.1	2.40	12 to 26	6000	6.22	2.75	29.5	
A4020L24S		0.08	1.92	12 to 26	5000	5.36	2.03	27.5	

USA Phone:+1-603-792-346 Fax:+1-603-792-3461  
<http://www.vettecorp.com>

ASIA TAIWAN Phone:+886-2-7720-1188 Fax:+886-2-7720-1166  
 CHINA Phine:+86-769-83377088 Fax:+86-769-83710088  
<http://www.vette.com.tw>