



45*45*10 MM SERIES

***馬達 MOTOR:**

4極無刷馬達 4pole brushless DC motor

***框 FRAME:**

成型條件 Injection molded thermal plastic

PBT+30%GF UL 94V-0

***扇葉 IMPELLER:**

成型條件 Injection molded thermal plastic

PBT+15%GF UL 94V-0

***絕緣 INSULATION:**

10MΩ/between unshackled wire

and frame at 500 VDC/m

***操作溫度與濕度**

OPERATION TEMPERATURE&HUMIDITY:

-10°C~+60°C,35%~85%RH

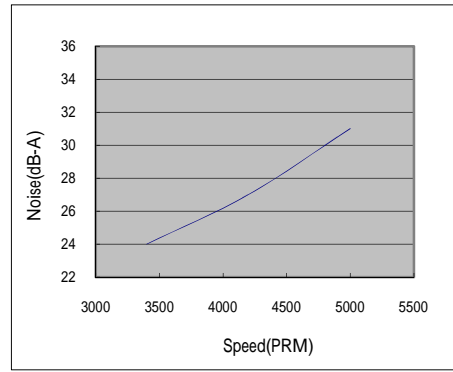
***儲存溫度與濕度**

STORAGE TEMPERATURE&HUMIDITY:

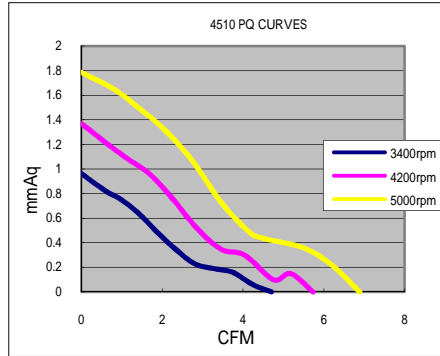
-40°C~+70°C,35%~85%RH

***導線 WIRES:**

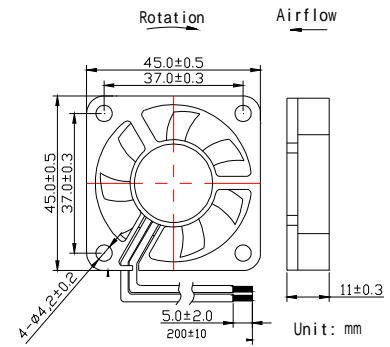
UL1007,28AWG,Red(+),Black(-)



■ P&Q CURVE



■ DIMENSIONS DRAWING



MODEL	Bearing	Rating Voltage	Rated Current	Rated Input Power	Operating Voltage range	Speed	Air Flow	Static Pressure	Noise
PART NO.		VDC	Amp	Watts	VDC	RPM	CFM	mm-H ₂ O	dB-A
A4510H05D	Two Ball	5	0.28	1.40	4.5 to 6	5000	6.89	1.79	31
A4510M05D			0.24	1.20	4.5 to 6	4200	5.74	1.37	27
A4510L05D			0.20	1.00	4.5 to 6	3400	4.71	0.96	24
A4510H05C	Ball& Sleeve		0.28	1.40	4.5 to 6	5000	6.89	1.79	31
A4510M05C			0.24	1.20	4.5 to 6	4200	5.74	1.37	27
A4510L05C			0.20	1.00	4.5 to 6	3400	4.71	0.96	24
A4510H05S	Sleeve		0.28	1.40	4.5 to 6	5000	6.89	1.79	31
A4510M05S			0.24	1.20	4.5 to 6	4200	5.74	1.37	27
A4510L05S			0.20	1.00	4.5 to 6	3400	4.71	0.96	24
A4510H12D	Two Ball	12	0.13	1.56	6 to 13	5000	6.89	1.79	31
A4510M12D			0.11	1.32	7 to 13	4200	5.74	1.37	27
A4510L12D			0.09	1.08	7 to 13	3400	4.71	0.96	24
A4510H12C	Ball& Sleeve		0.13	1.56	6 to 13	5000	6.89	1.79	31
A4510M12C			0.11	1.32	7 to 13	4200	5.74	1.37	27
A4510L12C			0.09	1.08	7 to 13	3400	4.71	0.96	24
A4510H12S	Sleeve		0.13	1.56	6 to 13	5000	6.89	1.79	31
A4510M12S			0.11	1.32	7 to 13	4200	5.74	1.37	27
A4510L12S			0.09	1.08	7 to 13	3400	4.71	0.96	24

USA Phone:+1-603-792-346 Fax:+1-603-792-3461
<http://www.vettecorp.com>
 ASIA TAIWAN Phone:+886-2-7720-1188 Fax:+886-2-7720-1166
 CHINA Phine:+86-769-83377088 Fax:+86-769-83710088
<http://www.vette.com.tw>