



60*60*10 MM SERIES

***馬達 MOTOR:**

4極無刷馬達 4pole brushless DC motor

***框 FRAME:**

成型條件 Injection molded thermal plastic

PBT+30%GF UL 94V-0

***扇葉 IMPELLER:**

成型條件 Injection molded thermal plastic

PBT+15%GF UL 94V-0

***絕緣 INSULATION:**

10MΩ/between unshackled wire
and frame at 500 VDC/m

***操作溫度與濕度**

OPERATION TEMPERATURE&HUMIDITY:

-10°C~+60°C,35%~85%RH

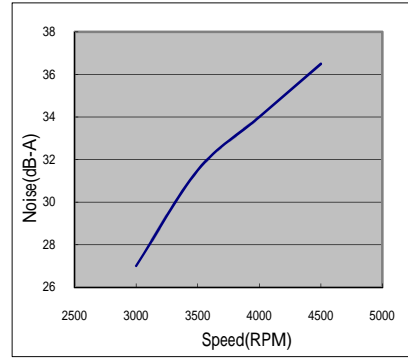
***儲存溫度與濕度**

STORAGE TEMPERATURE&HUMIDITY:

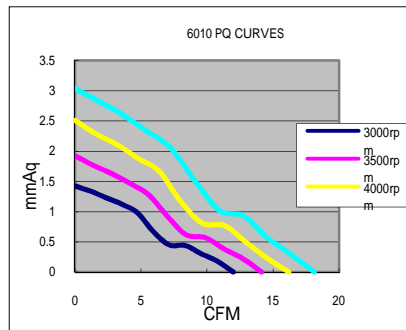
-40°C~+70°C,35%~85%RH

***導線 WIRES:**

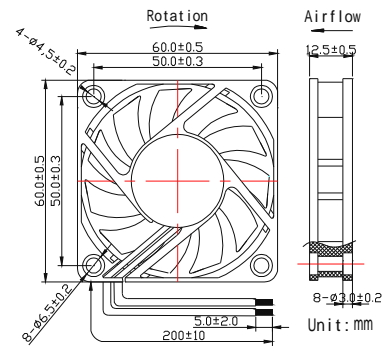
UL1007,28AWG,Red(+),Black(-)



■ P&Q CURVE



■ DIMENSIONS DRAWING



MODEL	Bearing	Rating Voltage	Rated Current	Rated Input Power	Operating Voltage range	Speed	Air Flow	Static Pressure	Noise
PART NO.		VDC	Amp	Watts	VDC	RPM	CFM	mm-H ₂ O	dB-A
A6010S05D	Two Ball	5	0.35	1.75	4.5 to 6	4500	18.13	3.04	36.5
A6010H05D			0.30	1.50	4.5 to 6	4000	15.32	2.37	34
A6010M05D			0.24	1.20	4.5 to 6	3500	13.33	1.83	31.5
A6010L05D			0.18	0.90	4.5 to 6	3000	11.32	1.35	28
A6010S05C	Ball& Sleeve		0.35	1.75	4.5 to 6	4500	18.13	3.04	36.5
A6010H05C			0.30	1.50	4.5 to 6	4000	15.32	2.37	34
A6010M05C			0.24	1.20	4.5 to 6	3500	13.33	1.83	31.5
A6010L05C			0.18	0.90	4.5 to 6	3000	11.32	1.35	28
A6010S05S	Sleeve		0.35	1.75	4.5 to 6	4500	18.13	3.04	36.5
A6010H05S			0.30	1.50	4.5 to 6	4000	15.32	2.37	34
A6010M05S			0.24	1.20	4.5 to 6	3500	13.33	1.83	31.5
A6010L05S			0.18	0.90	4.5 to 6	3000	11.32	1.35	28
A6010S12D	Two Ball	12	0.18	2.16	6 to 13	4500	18.13	3.04	36.5
A6010H12D			0.14	1.68	6 to 13	4000	15.32	2.37	34
A6010M12D			0.11	1.32	6to 13	3500	13.33	1.83	31.5
A6010L12D			0.08	0.96	6to 13	3000	11.32	1.35	28
A6010S12C	Ball& Sleeve		0.18	2.16	6 to 13	4500	18.13	3.04	36.5
A6010H12C			0.14	1.68	6 to 13	4000	15.32	2.37	34
A6010M12C			0.11	1.32	6to 13	3500	13.33	1.83	31.5
A6010L12C			0.08	0.96	6to 13	3000	11.32	1.35	28
A6010S12S	Sleeve		0.18	2.16	6 to 13	4500	18.13	3.04	36.5
A6010H12S			0.14	1.68	6 to 13	4000	15.32	2.37	34
A6010M12S			0.11	1.32	6to 13	3500	13.33	1.83	31.5
A6010L12S			0.08	0.96	6to 13	3000	11.32	1.35	28

USA Phone:+1-603-792-346 Fax:+1-603-792-3461
<http://www.vettecorp.com>

ASIA TAIWAN Phone:+886-2-7720-1188 Fax:+886-2-7720-1166

CHINA Phine:+86-769-83377088 Fax:+86-769-83710088