



# 60\*60\*25 MM SERIES

**\*馬達 MOTOR:**

4極無刷馬達 4pole brushless DC motor

**\*框 FRAME:**

成型條件 Injection molded thermal plastic

PBT+30%GF UL 94V-0

**\*扇葉 IMPELLER:**

成型條件 Injection molded thermal plastic

PBT+15%GF UL 94V-0

**\*絕緣 INSULATION:**

10MΩ/between unshackled wire

and frame at 500 VDC/m

**\*操作溫度與濕度**

OPERATION TEMPERATURE&HUMIDITY:

-10°C~+60°C,35%~85%RH

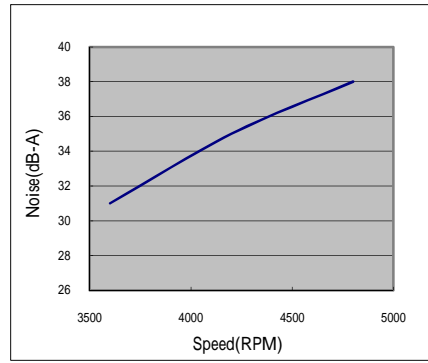
**\*儲存溫度與濕度**

STORAGE TEMPERATURE&HUMIDITY:

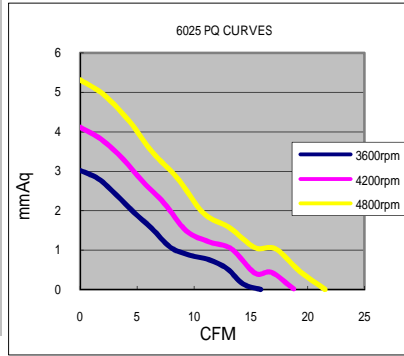
-40°C~+70°C,35%~85%RH

**\*導線 WIRES:**

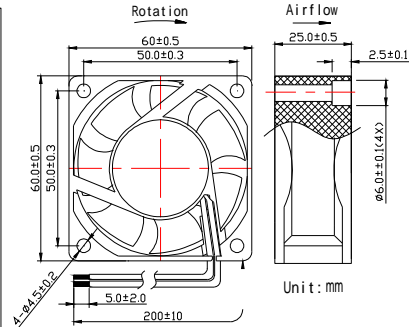
UL1007,28AWG,Red(+),Black(-)



**■ P&Q CURVE**



**■ DIMENSIONS DRAWING**



MODEL	Bearing	Rating Voltage	Rated Current	Rated Input Power	Operating Voltage range	Speed	Air Flow	Static Pressure	Noise
PART NO.		VDC	Amp	Watts	VDC	RPM	CFM	mm-H <sub>2</sub> O	dB-A
A6025H12D	Two Ball	12	0.22	2.64	6 to 13	4800	21.53	5.32	40
A6025M12D			0.18	2.16	6to 13	4200	18.76	4.12	37
A6025L12D			0.14	1.68	6to 13	3600	15.86	3.02	32
A6025H12C	Ball & Sleeve		0.22	2.64	6 to 13	4800	21.53	5.32	40
A6025M12C			0.18	2.16	6to 13	4200	18.76	4.12	37
A6025L12C			0.14	1.68	6to 13	3600	15.86	3.02	32
A6025H12S	Sleeve		0.22	2.64	6 to 13	4800	21.53	5.32	40
A6025M12S			0.18	2.16	6to 13	4200	18.76	4.12	37
A6025L12S			0.14	1.68	6to 13	3600	15.86	3.02	32
A6025H24D	Two Ball	24	0.12	2.88	13 to26	4800	21.53	5.32	40
A6025M24D			0.10	2.40	13 to26	4200	18.76	4.12	37
A6025L24D			0.08	1.92	13 to26	3600	15.86	3.02	32
A6025H24C	Ball & Sleeve		0.12	2.88	13 to26	4800	21.53	5.32	40
A6025M24C			0.1	2.40	13 to26	4200	18.76	4.12	37
A6025L24C			0.08	1.92	13 to26	3600	15.86	3.02	32
A6025H24S	Sleeve		0.12	2.88	13 to26	4800	21.53	5.32	40
A6025M24S			0.10	2.40	13 to26	4200	18.76	4.12	37
A6025L24S			0.08	1.92	13 to26	3600	15.86	3.02	32
A6025H48D	Two Ball	48	0.10	4.8	26 to 49	4800	21.53	5.32	40
A6025M48D			0.08	3.84	26 to 49	4200	18.76	4.12	37
A6025L48D			0.06	2.88	26 to 49	3600	15.86	3.02	32
A6025H48C	Ball & Sleeve		0.10	4.8	26 to 49	4800	21.53	5.32	40
A6025M48C			0.08	3.84	26 to 49	4200	18.76	4.12	37
A6025L48C			0.06	2.88	26 to 49	3600	15.86	3.02	32
A6025H48S	Sleeve		0.10	4.8	26 to 49	4800	21.53	5.32	40
A6025M48S			0.08	3.84	26 to 49	4200	18.76	4.12	37
A6025L48S			0.06	2.88	26 to 49	3600	15.86	3.02	32

USA Phone:+1-603-792-3461 Fax:+1-603-792-3461  
<http://www.vettecorp.com>

ASIA TAIWAN Phone:+886-2-7720-1188 Fax:+886-2-7720-1166  
 CHINA Phine:+86-769-83377088 Fax:+86-769-83710088