



# 70\*70\*15 MM SERIES

**\*馬達 MOTOR:**

4極無刷馬達 4pole brushless DC motor

**\*框 FRAME:**

成型條件 Injection molded thermal plastic  
PBT+30%GF UL 94V-0

**\*扇葉 IMPELLER:**

成型條件 Injection molded thermal plastic  
PBT+15%GF UL 94V-0

**\*絕緣 INSULATION:**

10MΩ/between unshackled wire  
and frame at 500 VDC/m

**\*操作溫度與濕度**

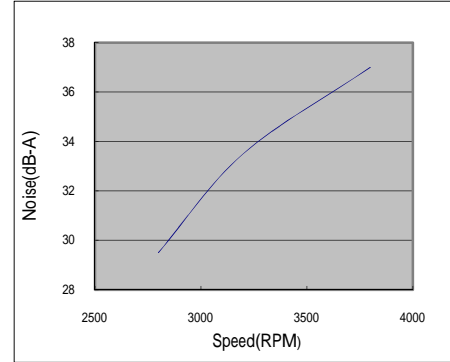
OPERATION TEMPERATURE&HUMIDITY:  
-10°C~+60°C,35%~85%RH

**\*儲存溫度與濕度**

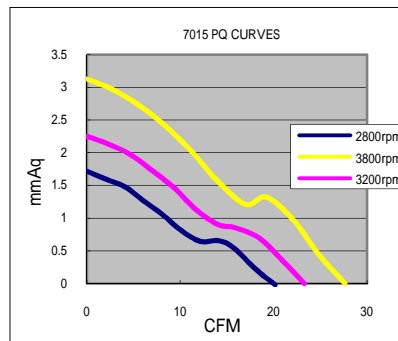
STORAGE TEMPERATURE&HUMIDITY:  
-40°C~+70°C,35%~85%RH

**\*導線 WIRES:**

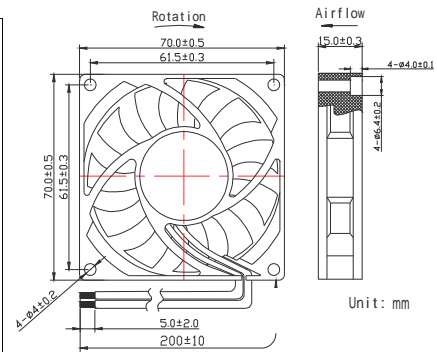
UL1007,28AWG,Red(+),Black(-)



**■ P&Q CURVE**



**■ DIMENSIONS DRAWING**



MODEL	Bearing	Rating Voltage	Rated Current	Rated Input Power	Operating Voltage range	Speed	Air Flow	Static Pressure	Noise
PART NO.		VDC	Amp	Watts	VDC	RPM	CFM	mm-H <sub>2</sub> O	dB-A
A7015H12D	Two Ball	12	0.26	3.12	6 to 13	3800	29.20	3.59	37.5
A7015M12D			0.22	2.64	6to 13	3200	24.27	2.52	33.5
A7015L12D			0.18	2.16	6to 13	2800	20.78	1.88	32.0
A7015H12C	Ball & Sleeve		0.26	3.12	6 to 13	3800	29.20	3.59	37.5
A7015M12C			0.22	2.64	6to 13	3200	24.27	2.52	33.5
A7015L12C			0.18	2.16	6to 13	2800	20.78	1.88	32.0
A7015H12S	Sleeve		0.26	3.12	6 to 13	3800	29.20	3.59	37.5
A7015M12S			0.22	2.64	6to 13	3200	24.27	2.52	33.5
A7015L12S			0.18	2.16	6to 13	2800	20.78	1.88	32.0

USA Phone:+1-603-792-346 Fax:+1-603-792-3461

<http://www.vettecorp.com>

ASIA TAIWAN Phone:+886-2-7720-1188 Fax:+886-2-7720-1166

CHINA Phine:+86-769-83377088 Fax:+86-769-83710088

<http://www.vette.com.tw>