



80*80*10 MM SERIES

***馬達 MOTOR:**

4極無刷馬達 4pole brushless DC motor

***框 FRAME:**

成型條件 Injection molded thermal plastic
PBT+30%GF UL 94V-0

***扇葉 IMPELLER:**

成型條件 Injection molded thermal plastic
PBT+15%GF UL 94V-0

***絕緣 INSULATION:**

10MΩ/between unshackled wire
and frame at 500 VDC/m

***操作溫度與濕度**

OPERATION TEMPERATURE&HUMIDITY:

-10°C~+60°C,35%~85%RH

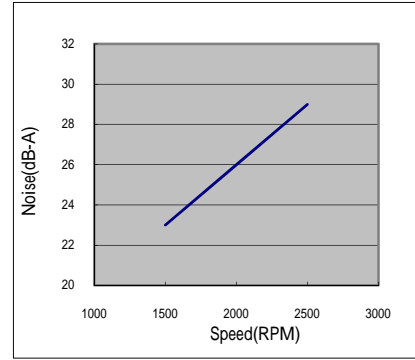
***儲存溫度與濕度**

STORAGE TEMPERATURE&HUMIDITY:

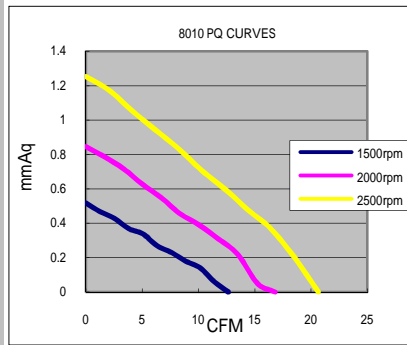
-40°C~+70°C,35%~85%RH

***導線 WIRES:**

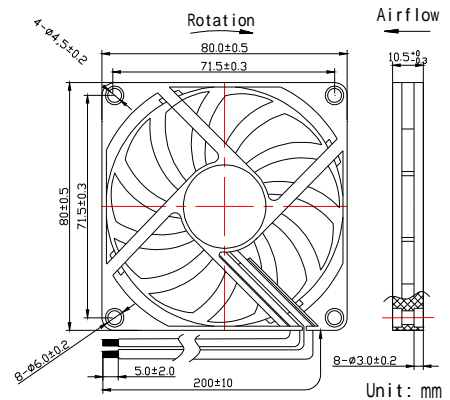
UL1007,28AWG,Red(+),Black(-)



■ P&Q CURVE



■ DIMENSIONS DRAWING



MODEL	Bearing	Rating Voltage	Rated Current	Rated Input Power	Operating Voltage range	Speed	Air Flow	Static Pressure	Noise
PART NO.		VDC	Amp	Watts	VDC	RPM	CFM	mm-H ₂ O	dB-A
A8010H12B	Ball	12	0.35	4.20	6 to 13	2500	22.61	1.58	31
A8010M12B			0.25	3.00	6to 13	2000	18.24	1.08	27.5
A8010L12B			0.15	1.80	6to 13	1500	13.30	0.69	24
A8010H12S	Sleeve		0.35	4.20	6 to 13	2500	22.61	1.58	31
A8010M12S			0.25	3.00	6to 13	2000	18.24	1.08	27.5
A8010L12S			0.15	1.80	6to 13	1500	13.30	0.69	24

USA Phone:+1-603-792-346 Fax:+1-603-792-3461

<http://www.vettecorp.com>

ASIA TAIWAN Phone:+886-2-7720-1188 Fax:+886-2-7720-1166

CHINA Phine:+86-769-83377088 Fax:+86-769-83710088

<http://www.vette.com.tw>