



80*80*15 MM SERIES

***馬達 MOTOR:**

4極無刷馬達 4pole brushless DC motor

***框 FRAME:**

成型條件 Injection molded thermal plastic

PBT+30%GF UL 94V-0

***扇葉 IMPELLER:**

成型條件 Injection molded thermal plastic

PBT+15%GF UL 94V-0

***絕緣 INSULATION:**

10MΩ/between unshackled wire

and frame at 500 VDC/m

***操作溫度與濕度**

OPERATION TEMPERATURE&HUMIDITY:

-10°C~+60°C,35%~85%RH

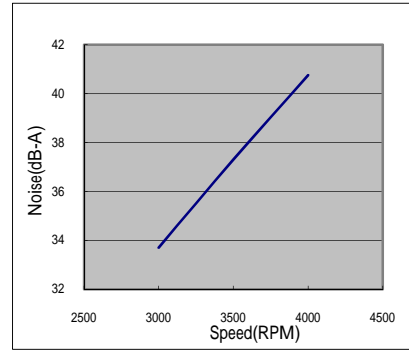
***儲存溫度與濕度**

STORAGE TEMPERATURE&HUMIDITY:

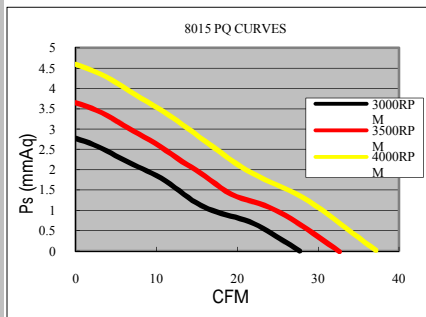
-40°C~+70°C,35%~85%RH

***導線 WIRES:**

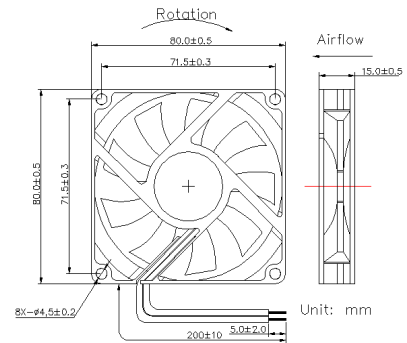
UL1007,28AWG,Red(+),Black(-)



■ P&Q CURVE



■ DIMENSIONS DRAWING



MODEL	Bearing	Rating Voltage	Rated Current	Rated Input Power	Operating Voltage range	Speed	Air Flow	Static Pressure	Noise
PART NO.		VDC	Amp	Watts	VDC	RPM	CFM	mm-H ₂ O	dB-A
A8015H12D	Two Ball	12	0.24	2.88	6 to 13	4000	37.15	4.59	41.1
A8015M12D			0.20	2.4	6to 13	3500	32.63	3.65	37.9
A8015L12D			0.16	1.92	6to 13	3000	27.72	2.77	34.4
A8015H12C	Ball & Sleeve		0.24	2.88	6 to 13	4000	37.15	4.59	41.1
A8015M12C			0.20	2.4	6to 13	3500	32.63	3.65	37.9
A8015L12C			0.16	1.92	6to 13	3000	27.72	2.77	34.4
A8015H12S	Sleeve		0.24	2.88	6 to 13	4000	37.15	4.59	41.1
A8015M12S			0.20	2.4	6to 13	3500	32.63	3.65	37.9
A8015L12S			0.16	1.92	6to 13	3000	27.72	2.77	34.4

USA Phone:+1-603-792-346 Fax:+1-603-792-3461

<http://www.vettecorp.com>

ASIA TAIWAN Phone:+886-2-7720-1188 Fax:+886-2-7720-1166

CHINA Phine:+86-769-83377088 Fax:+86-769-83710088

<http://www.vette.com.tw>