



80*80*20 MM SERIES

***馬達 MOTOR:**

4極無刷馬達 4pole brushless DC motor

***框 FRAME:**

成型條件 Injection molded thermal plastic

PBT+30%GF UL 94V-0

***扇葉 IMPELLER:**

成型條件 Injection molded thermal plastic

PBT+15%GF UL 94V-0

***絕緣 INSULATION:**

10MΩ/between unshackled wire

and frame at 500 VDC/m

***操作溫度與濕度**

OPERATION TEMPERATURE&HUMIDITY:

-10°C~+60°C,35%~85%RH

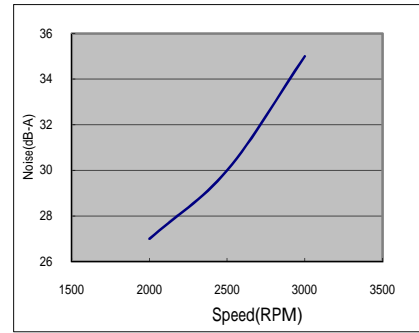
***儲存溫度與濕度**

STORAGE TEMPERATURE&HUMIDITY:

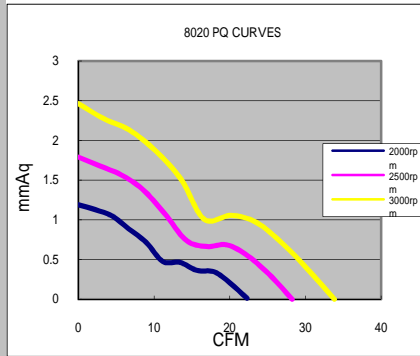
-40°C~+70°C,35%~85%RH

***導線 WIRES:**

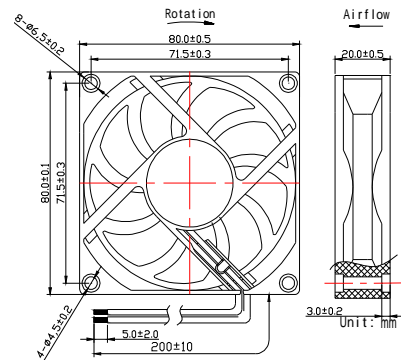
UL1007,28AWG,Red(+),Black(-)



■ P&Q CURVE



■ DIMENSIONS DRAWING



MODEL	Bearing	Rating Voltage	Rated Current	Rated Input Power	Operating Voltage range	Speed	Air Flow	Static Pressure	Noise
PART NO.		VDC	Amp	Watts	VDC	RPM	CFM	mm-H ₂ O	dB-A
A8020H12D	Two Ball	12	0.20	2.4	6 to 13	3000	33.83	2.46	35
A8020M12D			0.16	1.92	6to 13	2500	28.23	1.79	30
A8020L12D			0.12	1.44	6to 13	2000	22.28	1.19	27
A8020H12C	Ball& Sleeve		0.20	2.4	6 to 13	3000	33.83	2.46	35
A8020M12C			0.16	1.92	6to 13	2500	28.23	1.79	30
A8020L12C			0.12	1.44	6to 13	2000	22.28	1.19	27
A8020H12S	Sleeve		0.20	2.4	6 to 13	3000	33.83	2.46	35
A8020M12S			0.16	1.92	6to 13	2500	28.23	1.79	30
A8020L12S			0.12	1.44	6to 13	2000	22.28	1.19	27
A8020H24D	Two Ball	24	0.12	2.88	12 to26	3000	33.83	2.46	35
A8020M24D			0.1	2.40	12 to26	2500	28.23	1.79	30
A8020L24D			0.08	1.92	12 to26	2000	22.28	1.19	27
A8020H24C	Ball& Sleeve		0.12	2.88	12 to26	3000	33.83	2.46	35
A8020M24C			0.1	2.40	12 to26	2500	28.23	1.79	30
A8020L24C			0.08	1.92	12 to26	2000	22.28	1.19	27
A8020H24S	Sleeve		0.12	2.88	12 to26	3000	33.83	2.46	35
A8020M24S			0.1	2.40	12 to26	2500	28.23	1.79	30
A8020L24S			0.08	1.92	12 to26	2000	22.28	1.19	27

USA Phone:+1-603-792-346 Fax:+1-603-792-3461

<http://www.vettecorp.com>

ASIA TAIWAN Phone:+886-2-7720-1188 Fax:+886-2-7720-1166

CHINA Phine:+86-769-83377088 Fax:+86-769-83710088

<http://www.vette.com.tw>