



# 80\*80\*25 MM SERIES

**\*馬達 MOTOR:**

4極無刷馬達 4pole brushless DC motor

**\*框 FRAME:**

成型條件 Injection molded thermal plastic

PBT+30%GF UL 94V-0

**\*扇葉 IMPELLER:**

成型條件 Injection molded thermal plastic

PBT+15%GF UL 94V-0

**\*絕緣 INSULATION:**

10MΩ/between unshackled wire

and frame at 500 VDC/m

**\*操作溫度與濕度**

OPERATION TEMPERATURE&HUMIDITY:

-10°C~+60°C,35%~85%RH

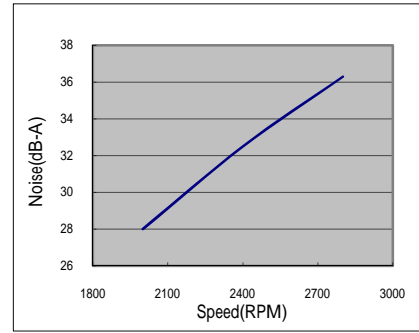
**\*儲存溫度與濕度**

STORAGE TEMPERATURE&HUMIDITY:

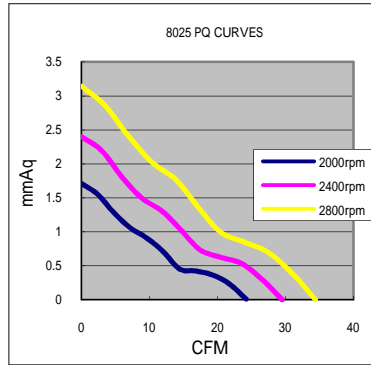
-40°C~+70°C,35%~85%RH

**\*導線 WIRES:**

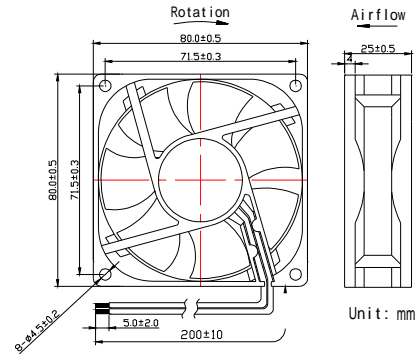
UL1007,28AWG,Red(+),Black(-)



**■ P&Q CURVE**



**■ DIMENSIONS DRAWING**



MODEL	Bearing	Rating Voltage	Rated Current	Rated Input Power	Operating Voltage range	Speed	Air Flow	Static Pressure	Noise
PART NO.		VDC	Amp	Watts	VDC	RPM	CFM	mm-H <sub>2</sub> O	dB-A
A8025H12D	Two Ball	12	0.16	1.92	6 to 13	2800	33.46	2.98	36.3
A8025M12D			0.12	1.44	6 to 13	2400	28.72	2.25	32.5
A8025L12D			0.1	1.2	6 to 13	2000	23.70	1.62	28
A8025H12C	Ball & Sleeve		0.16	1.92	6 to 13	2800	33.46	2.98	36.3
A8025M12C			0.12	1.44	6 to 13	2400	28.72	2.25	32.5
A8025L12C			0.1	1.2	6 to 13	2000	23.70	1.62	28
A8025H12S	Sleeve		0.16	1.92	6 to 13	2800	33.46	2.98	36.3
A8025M12S			0.12	1.44	6 to 13	2400	28.72	2.25	32.5
A8025L12S			0.1	1.2	6 to 13	2000	23.70	1.62	28
A8025H12D	Two Ball	24	0.12	2.88	12 to 26	2800	33.46	2.98	36.3
A8025M24D			0.09	2.16	12 to 26	2400	28.72	2.25	32.5
A8025L24D			0.07	1.68	12 to 26	2000	23.70	1.62	28
A8025H24C	Ball & Sleeve		0.12	2.88	12 to 26	2800	33.46	2.98	36.3
A8025M24C			0.09	2.16	12 to 26	2400	28.72	2.25	32.5
A8025L24C			0.07	1.68	12 to 26	2000	23.70	1.62	28
A8025H24S	Sleeve		0.12	2.88	12 to 26	2800	33.46	2.98	36.3
A8025M24S			0.09	2.16	12 to 26	2400	28.72	2.25	32.5
A8025L24S			0.07	1.68	12 to 26	2000	23.70	1.62	28
A8025H48D	Two Ball	48	0.10	4.8	26 to 49	2800	33.46	2.98	36.3
A8025M48D			0.08	3.84	26 to 49	2400	28.72	2.25	32.5
A8025L48D			0.05	2.4	26 to 49	2000	23.70	1.62	28
A8025H48C	Ball & Sleeve		0.10	4.8	26 to 49	2800	33.46	2.98	36.3
A8025M48C			0.08	3.84	26 to 49	2400	28.72	2.25	32.5
A8025L48C			0.05	2.4	26 to 49	2000	23.70	1.62	28
A8025H48S	Sleeve		0.10	4.8	26 to 49	2800	33.46	2.98	36.3
A8025M48S			0.08	3.84	26 to 49	2400	28.72	2.25	32.5
A8025L48S			0.05	2.4	26 to 49	2000	23.70	1.62	28

USA Phone:+1-603-792-346 Fax:+1-603-792-3461

<http://www.vettecorp.com>

ASIA TAIWAN Phone:+886-2-7720-1188 Fax:+886-2-7720-1166

CHINA Phine:+86-769-83377088 Fax:+86-769-83710088