



92*92*25 MM SERIES

***馬達 MOTOR:**

4極無刷馬達 4pole brushless DC motor

***框 FRAME:**

成型條件 Injection molded thermal plastic

PBT+30%GF UL 94V-0

***扇葉 IMPELLER:**

成型條件 Injection molded thermal plastic

PBT+15%GF UL 94V-0

***絕緣 INSULATION:**

10MΩ/between unshackled wire

and frame at 500 VDC/m

***操作溫度與濕度**

OPERATION TEMPERATURE&HUMIDITY:

-10°C~+60°C,35%~85%RH

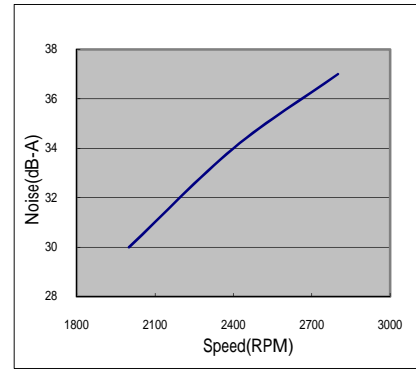
***儲存溫度與濕度**

STORAGE TEMPERATURE&HUMIDITY:

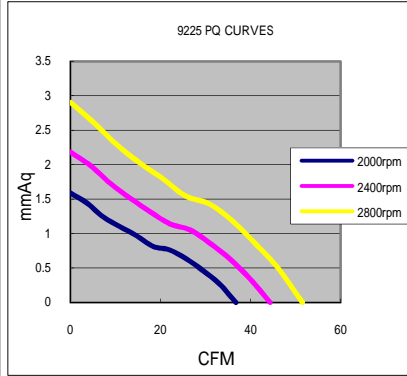
-40°C~+70°C,35%~85%RH

***導線 WIRES:**

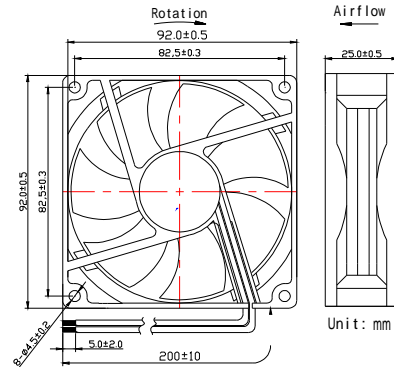
UL1007,28AWG,Red(+),Black(-)



■ P&Q CURVE



■ DIMENSIONS DRAWING



MODEL	Bearing	Rating Voltage	Rated Current	Rated Input Power	Operating Voltage range	Speed	Air Flow	Static Pressure	Noise	
PART NO.		VDC	Amp	Watts	VDC	RPM	CFM	mm-H ₂ O	dB-A	
A9225H12D	Two Ball	12	0.34	4.08	6 to 13	2800	56.28	3.45	37	
A9225M12D			0.26	3.12	6to 13	2400	48.27	2.62	34	
A9225L12D			0.2	2.4	6to 13	2000	38.31	1.80	30	
A9225H12C	Ball& Sleeve		0.34	4.08	6 to 13	2800	56.28	3.45	37	
A9225M12C			0.26	3.12	6to 13	2400	48.27	2.62	34	
A9225L12C			0.2	2.4	6to 13	2000	38.31	1.80	30	
A9225H12S	Sleeve		0.34	4.08	6 to 13	2800	56.28	3.45	37	
A9225M12S			0.26	3.12	6to 13	2400	48.27	2.62	34	
A9225L12S			0.2	2.4	6to 13	2000	38.31	1.80	30	
A9225H24D	Two Ball		24	0.17	4.08	12 to 26	2800	56.28	3.45	37
A9225M24D				0.13	3.12	12 to 26	2400	48.27	2.62	34
A9225L24D				0.1	2.4	12 to 26	2000	38.31	1.80	30
A9225H24C	Ball& Sleeve	0.17		4.08	12 to 26	2800	56.28	3.45	37	
A9225M24C		0.13		3.12	12 to 26	2400	48.27	2.62	34	
A9225L24C		0.1		2.4	12 to 26	2000	38.31	1.80	30	
A9225H24S	Sleeve	0.17		4.08	12 to 26	2800	56.28	3.45	37	
A9225M24S		0.13		3.12	12 to 26	2400	48.27	2.62	34	
A9225L24S		0.1		2.4	12 to 26	2000	38.31	1.80	30	
A9225H48D	Two Ball	48		0.12	5.76	26 to 49	2800	56.28	3.45	37
A9225M48D				0.10	4.80	26 to 49	2400	48.27	2.62	34
A9225L48D				0.08	3.84	26 to 49	2000	38.31	1.80	30
A9225H48C	Ball& Sleeve		0.12	5.76	26 to 49	2800	56.28	3.45	37	
A9225M48C			0.10	4.80	26 to 49	2400	48.27	2.62	34	
A9225L48C			0.08	3.84	26 to 49	2000	38.31	1.80	30	
A9225H48S	Sleeve		0.12	5.76	26 to 49	2800	56.28	3.45	37	
A9225M48S			0.10	4.80	26 to 49	2400	48.27	2.62	34	
A9225L48S			0.08	3.84	26 to 49	2000	38.31	1.80	30	

USA Phone:+1-603-792-346(Fax:+1-603-792-3461

<http://www.vettecorp.com>

ASIA TAIWAN Phone:+886-2-7720-1188 Fax:+886-2-7720-1166

CHINA Phine:+86-769-83377088 Fax:+86-769-83710088

<http://www.vette.com.tw>