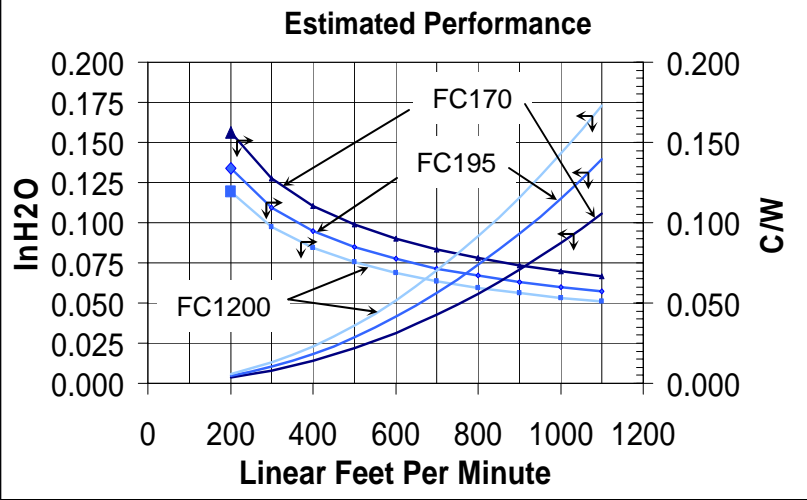
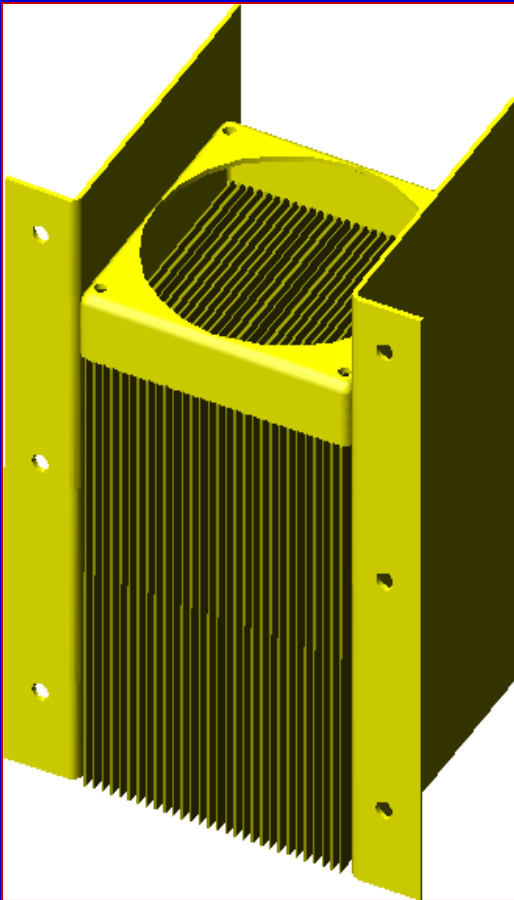




FC Series Single Fan Unit 170 / 195 / 1200



Features And Benefits

- Maximized thermal performance
- Minimum overall heat sink volume
- High fin density design
- Three standard lengths, 12", 14", & 16" lengths
- Custom designs available upon request

NOTES:

1. Heat sink material: High Performance Aluminum Bonded Fin.
2. Standard Surface roughness is 125 RMS (mill finish), optional flycut (64 RMS) available.
3. Air flow assumed to travel down the length of the fins.
4. Thermal graph assumes Wash Only (Iridite available upon request)
5. Thermal interface resistances not included in graph.
6. All materials are RoHs compliant.
7. Thermal resistance and pressure drop data are estimates only. Actual fan and applied devices will vary the performance from that shown.
8. Fans not included.

VetteCorp Americas

6377 Dean Parkway
Ontario NY 14519
PH 585.265.0330
FX 585.265.1941

VetteCorp Europe

25 Dunmow Avenue
Harley Bakewell
Worcester WR4 0NR UK
PH 44.1.905.617.373

VetteCorp Asia

8/F No 1668 RuiGuan Road
Neihu 114, Taipei, Taiwan R.O.C
PH 886.2.77201666
FX 886.9.21062118

www.vettecorp.com

VETTE
CORP.

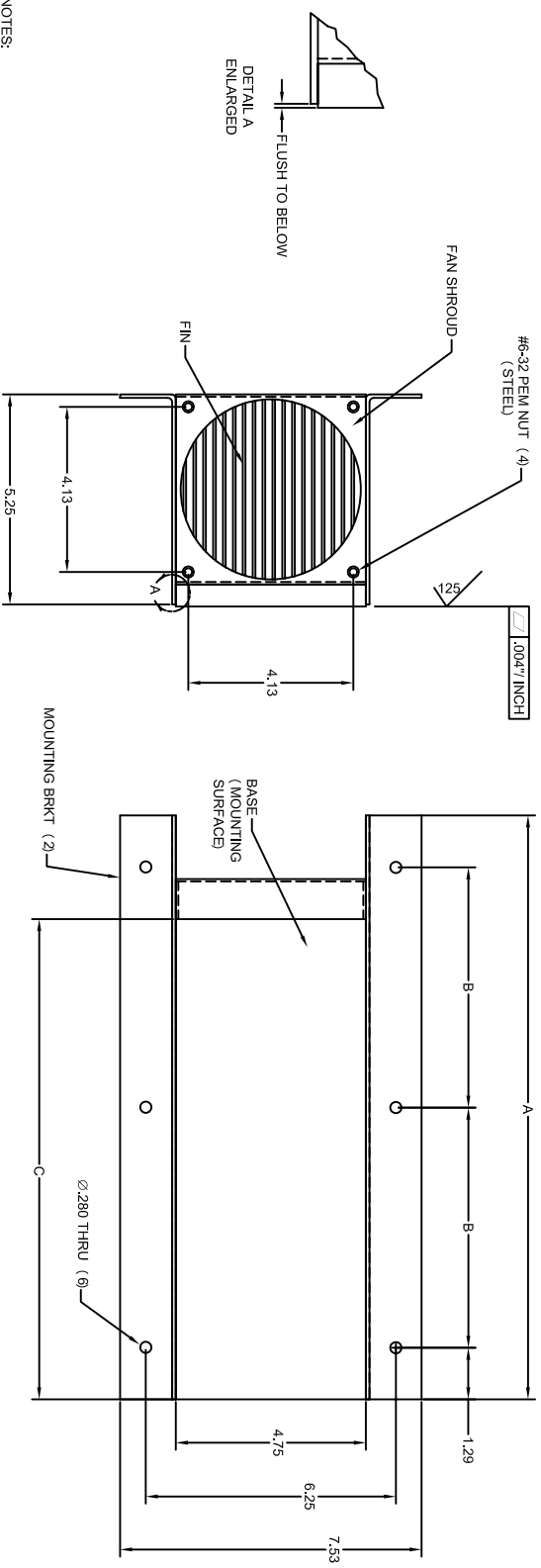
Our customers are reminded that they bear the responsibility for testing VetteCorp's products for proposed use. Any information furnished by Vette is believed to be accurate and reliable, but all customers must bear all for use and applications of Vette products. VETTE MAKES NO WARRANTIES EXPRESSED OR IMPLIED, AS TO THE FITNESS, MERCHANTABILITY, OR SUITABILITY OF ANY VETTE PRODUCTS FOR ANY SPECIFIC OR GENERAL USES. VETTE SHALL NOT BE LIABLE FOR INCIDENTAL OR CONSEQUENTIAL DAMAGES OF ANY KIND.

REVISION	DATE	DESIGNER	CHECKER	SUPERVISOR	ZONE	REASON FOR CHANGE
A	6/27/08	J.ALBORN				

FORCED CONVECTION SINGLE FAN UNITS

PART DESCRIPTION	MATERIAL NUMBER	AXIAL FAN MOUNT (S) FOR STANDARD FAN *	DIMENSION "A" IN INCHES	DIMENSION "B" IN INCHES	DIMENSION "C" IN INCHES
FC170	105185	1	9.50	3.75	7.00
FC195	105186	1	12.00	5.00	9.50
FC1200	105193	1	14.50	6.00	12.00

* 120mm FANS NOT INCLUDED



- NOTES:
- CONSTRUCTION: THERMAL EPOXY BONDED FIN, Ribs COMPLIANT
 - MATERIAL ALLOYS
WALLCOVER: ALUMINUM, 5052, .090 THK
BASE: ALUMINUM 6063
FIN: ALUMINUM 1100
 - FINISH: NONE, ALL COMPONENTS WASHED
 - OPTIONAL FLYCUT AND HOLE DRILL & TAP AVAILABLE UPON REQUEST

PROPRIETARY AND CONFIDENTIAL
THE INFORMATION CONTAINED IN THIS DRAWING IS THE SOLE PROPERTY OF VETTE CORP. ANY REPRODUCTION IN PART OR AS A WHOLE WITHOUT THE WRITTEN PERMISSION OF VETTE CORP IS PROHIBITED.

MATERIAL: SEE NOTE 2	TOLERANCES ALL DIMS IN INCHES XX ±.030	6377 DEAN PARKWAY ONTARIO, NY 14519 www.vetecorp.com
FINISH: SEE NOTE 3	ANGLE: 1°	TITLE: FC1XX
	REVISION: A	DESCRIPTION: SINGLE FAN UNIT
		DRAWING NO: FC170, 195, 1200 SP
		SH 1 OF 1

A | B | C | D | E | F | G | H | J | K | L | M

10 | 9 | 8 | 7 | 6 | 5 | 4 | 3 | 2 | 1